

USB-A Connector

EIO1000

Description

The EIO1000 is a Female USB A type connector with a 90° mounting. The connector is designed for a wide range of applications.



Features

Mechanical Properties

Description

Housing:	PBT, UL94V-0, Black
Shell:	Copper Alloy, Nickel plating over all.
Contact:	Copper Alloy, Gold plating on contact area, Tin plating on solder area and Nickel plating over all.
Mating Force:	35N max.
Unmating Force:	10N min. (8N min. after durability)
Durability:	1500 Cycles
Operating Temperature:	-30°C~+85°C
Dimensions:	15.6 x 10.9 x 14 mm ± 0.2

Electrical Properties

Description

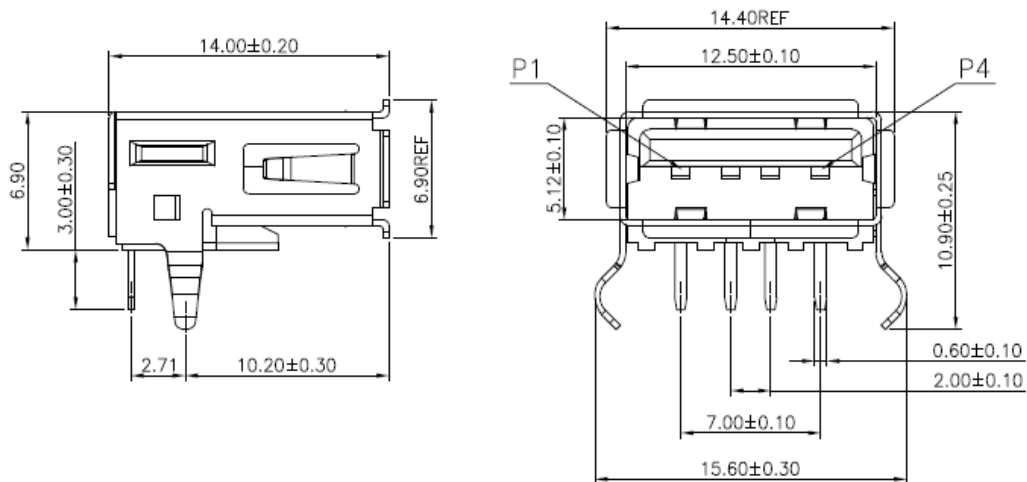
Voltage Rating:	30 VAC
Current Rating:	1.5A
Contact Resistance:	30 mΩ max.
Insulation Resistance:	1000 MΩ max. @100 VDC
Dielectric Withstanding:	500 VAC

USB-A Connector

EIO1000

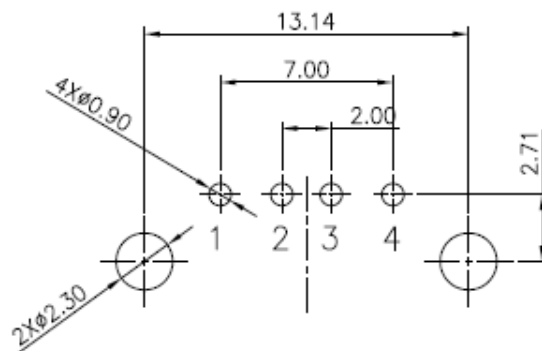
Dimensions

*unit: mm



PCB Footprint

*unit: mm



Ordering information

Ordering can be done via www.summit-electronics.com or via info@summit-electronics.com. Please contact us for more information. Customisation of the product is available on request.

Technical support

For all product questions please contact us via info@summit-electronics.com

USB-A Connector

EIO1000



Document revision

Rev	Date	changes
V01.00	21-08-2023	EK; First issue of document